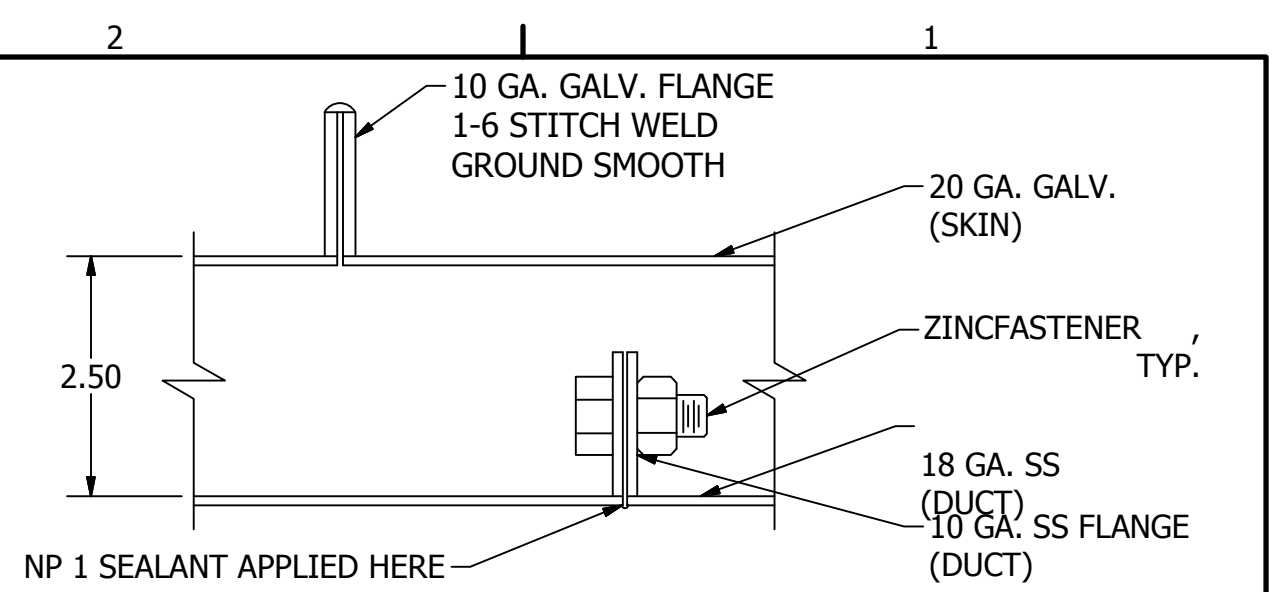
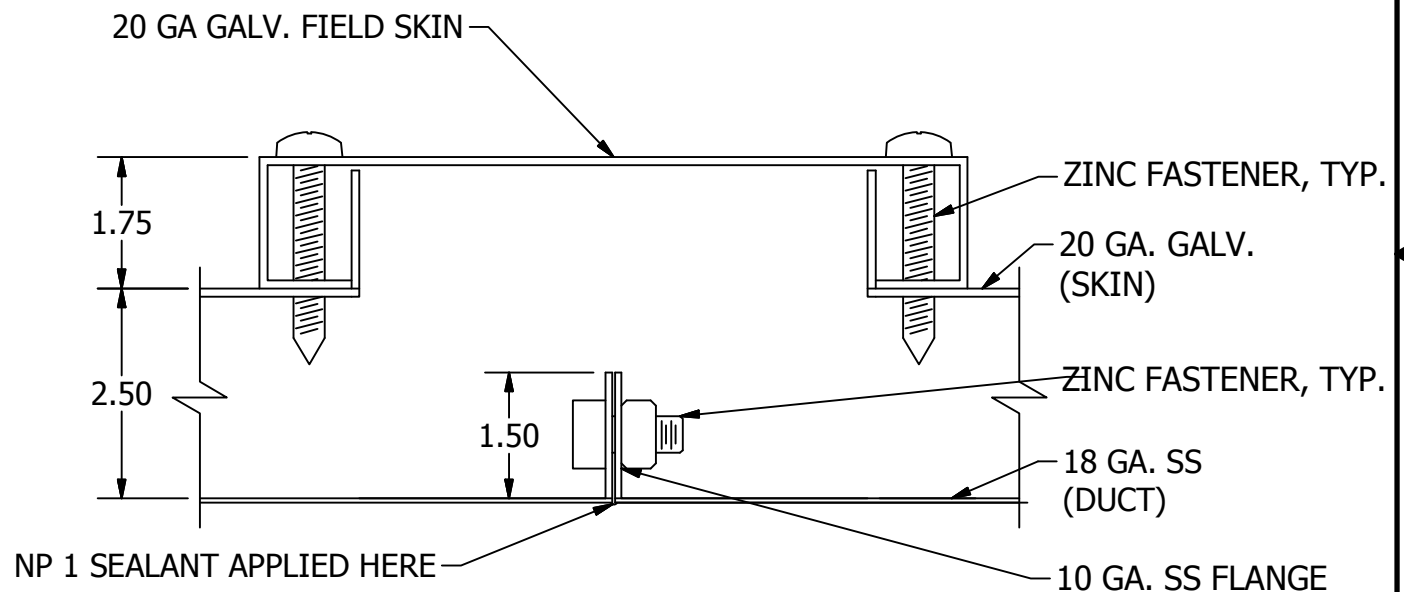


EXPLODED VIEW
(DUCT ASSEMBLY JOINT)

ASSEMBLED VIEW
(DUCT ASSEMBLY JOINT)



SECTION @ DETAIL "B"
(SHOP)



SECTION @ DETAIL "A"
(FIELD)

DRAWN pdavis	3/6/2014	TITLE STAR 2 EXTERIOR APPLICATION		
CHECKED				
QA				
MFG				
APPROVED		SIZE B	DWG NO	REV
		SCALE	SHEET 1 OF 1	